



e-ISSN: 2319-8753 | p-ISSN: 2347-6710

IJRSET

International Journal of Innovative Research in
SCIENCE | ENGINEERING | TECHNOLOGY



INTERNATIONAL JOURNAL OF INNOVATIVE RESEARCH

IN SCIENCE | ENGINEERING | TECHNOLOGY

Volume 13, Special Issue 2, May 2024

ISSN INTERNATIONAL
STANDARD
SERIAL
NUMBER
INDIA

Impact Factor: 8.423

 9940 572 462

 6381 907 438

 ijirset@gmail.com

 www.ijirset.com

Smart City Base Waste Management System Using IOT

Prof. Monali Shirsath¹, Prof. Prajakta Khairnar², Prof. Seema Khamankar³, Prof. Manjusha Patil⁴,
Ms. Vaishnavi Chature⁵, Ms. Rohini Mokashe⁶

Assistant Professor, Department of E&TC, Ajeenkya D. Y. Patil School of Engineering (ADYPSOE), Pune, India^{1 2 3 4}

UG Student, Department of E&TC, Ajeenkya D. Y. Patil School of Engineering (ADYPSOE), Pune, India^{5 6}

ABSTRACT: The Internet of Things (IoT) embodies a framework characterized by an interconnected network of embedded sensors and services. These sensors are amalgamated to collect a variety of data, monitor physical conditions such as levels in waste bins, and communicate with multiple centralized platforms. The demand for such sensors is escalating, yet the proliferation of technologies presents manifold challenges. For example, how can IoT and its associated data be utilized to enhance waste management? In smart cities, an efficient waste management system is essential. IoT-driven approaches have the capacity to equip cities with the means to handle waste collection adeptly. This study advocates for an intelligent method for recommending routes in an IoT-based waste management system, while considering spatial constraints. It conducts an exhaustive examination employing AI-driven methodologies and contrasts their respective outcomes. Our proposed solution adopts a multifaceted decision-making process, taking into account bin status and coordinates to address the routing predicament. Deep learning and IoT provide a pliable solution for categorization and real-time data surveillance, respectively. This research delineates a resilient framework for a waste management system founded on deep learning and IoT. By harnessing machine learning and graph theory, the system can optimize waste collection by pinpointing the most efficient path.

KEYWORDS: Detection and sorting of waste, streamlined communication, automated functionality

I. INTRODUCTION

The amount of waste produced daily from both industries and households is rapidly increasing, largely driven by the exponential consumption of packaged items, textiles, paper, food, plastics, metals, and glass. As a result, the efficient handling of this growing waste has become a crucial aspect of our everyday lives. While developed countries have adopted numerous effective waste management methods, the situation is markedly different in many developing nations. Here, there is a casual approach towards maintaining clean environments, compounded by a lack of strict regulations governing the use of biodegradable materials and sustainable development practices. The absence of comprehensive environmental policies only worsens these challenges, leading to the severe consequences of inadequate waste management, particularly in the context of IoT-based solutions.

II. AIM

Smart cities that use IoT sensors and AI algorithms to manage waste, reduce energy consumption, and improve the overall quality of life for residents To ensure the protection of the environment through effective waste management. To protect the health and wellbeing of people by providing an affordable waste collection service. Preventing pollution and ecological degradation It uses greenenergy. Automatically received message when dustbin full. Automatically open lid of dustbin also separate waste so energy loss.

III. BLOCK DIAGRAM

Power Supply: Provides power to all components.

Microcontroller (ATmega328): Controls and coordinates the operation of all components.

LCD Display: Displays information such as fill level, collection schedules, and system status.

GSM Module: Sends notifications/alerts to waste management authorities or residents when bins are full or when maintenance is required.

Ultrasonic Sensor: Measures the fill level of the waste bin.

Buzzer: Provides audible alerts for nearby residents or workers when bins are full or when maintenance is needed.

MQ135 Sensor: Monitors air quality to detect pollution levels.

Moisture Sensor: Detects moisture levels to determine if waste is dry or wet. Servo Motor 1: Controls the opening and closing of the waste bin lid. Servo Motor 2: Separates waste into different compartments (e.g., recyclables, organic, non-recyclables).

IR Sensor: Detects objects or obstructions in front of the waste bin for safety purposes.

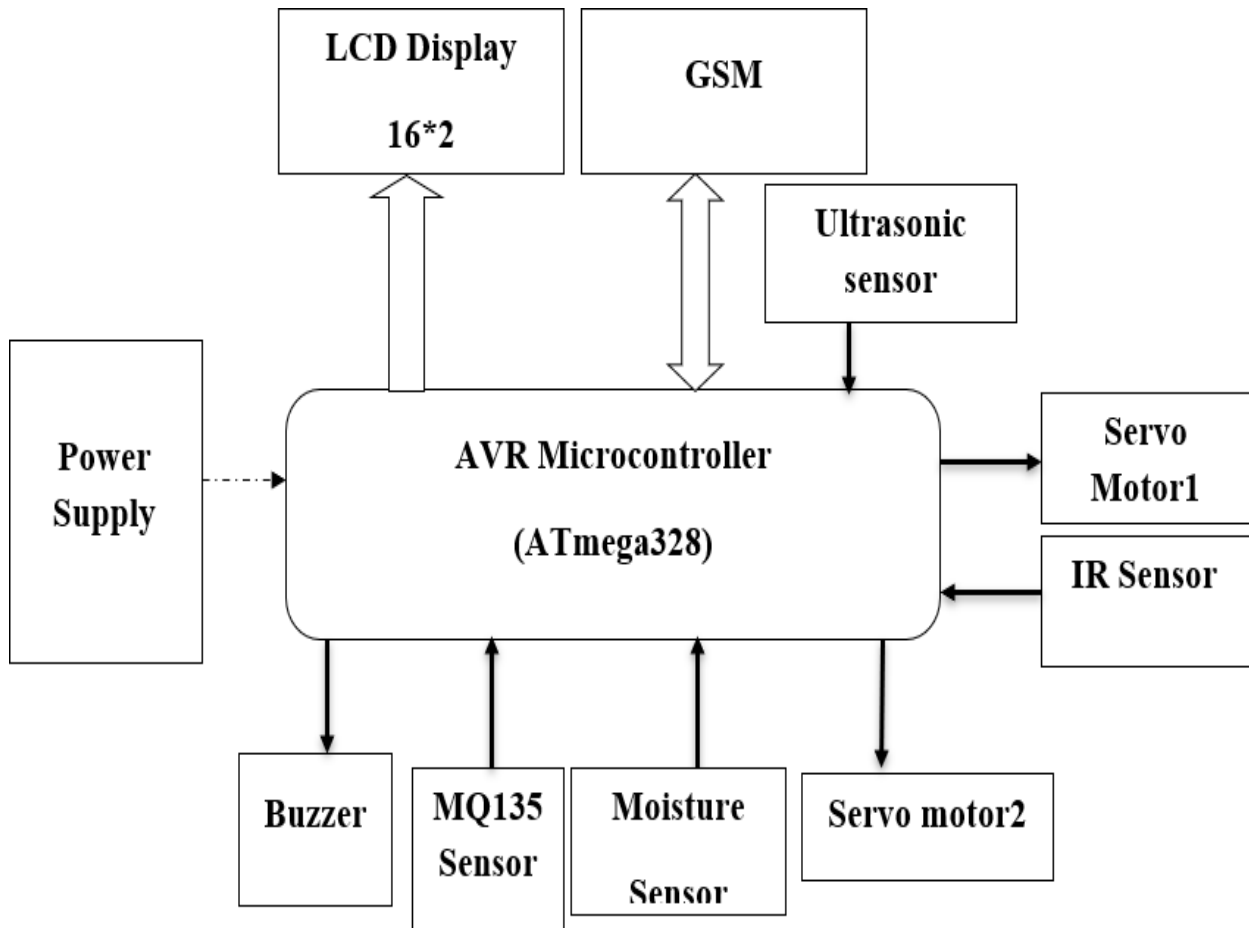


Fig. Block Diagram Of The System

IV. WORKING

The intelligent waste management system employs sensors to monitor the fill levels of garbage bins and relay this information via a GSM module. Utilizing an ultrasonic sensor positioned atop the bins, it gauges the garbage level by comparing it with the bin's capacity. Additionally, an IR sensor serves a dual purpose: obstacle avoidance within the bin and object detection. The system also integrates a moisture sensor to distinguish between dry and wet waste, enabling the Arduino module to control a servo motor accordingly. Input from these sensors is processed by the Arduino, which triggers actions such as servo motor movement and LED display updates. Upon detecting a full bin, the GSM module dispatches an SMS alert to authorized personnel, while the LED display highlights the affected bin.

The smart waste dustbin operates through a combination of various sensors and communication modules to efficiently manage waste. Here's how it works:

1. Ultrasonic Sensor: This sensor is mounted on the top of the dustbin to measure the fill level of the waste. It emits ultrasonic waves and measures the time taken for the waves to bounce back. By calculating the distance, it determines

the fill level of the dustbin. When the level reaches a certain threshold, it sends a signal to the microcontroller indicating that the bin needs to be emptied.

2. IR Sensor: The IR sensor is employed for both obstacle avoidance within the bin and object detection. It ensures that the waste is properly disposed of without any obstructions. If an obstacle is detected, the system can trigger an alert or take corrective action.

3. Gas Sensor: The gas sensor is used to detect harmful gases emitted from the waste. It ensures the safety of both the environment and the personnel handling the waste. When dangerous levels of gases are detected, the system can trigger alarms and alerts for immediate action.

4. GSM Module: This module enables communication with authorized personnel or a central monitoring system. When the fill level of the dustbin reaches a critical point or when harmful gases are detected, the GSM module sends out alerts via SMS or calls to designated individuals or authorities. This allows for timely action to be taken, such as emptying the bin or addressing any safety concerns.

5. Microcontroller: The brain of the system, the microcontroller processes the data from the sensors and executes predefined actions based on programmed logic. It coordinates the functioning of the sensors, communicates with the GSM module, and controls any other components, such as actuators or displays.

Overall, the smart waste dustbin system offers an efficient and automated approach to waste management, ensuring timely disposal, safety, and environmental protection through the integration of various sensors and communication technologies.

V. SIMULATION

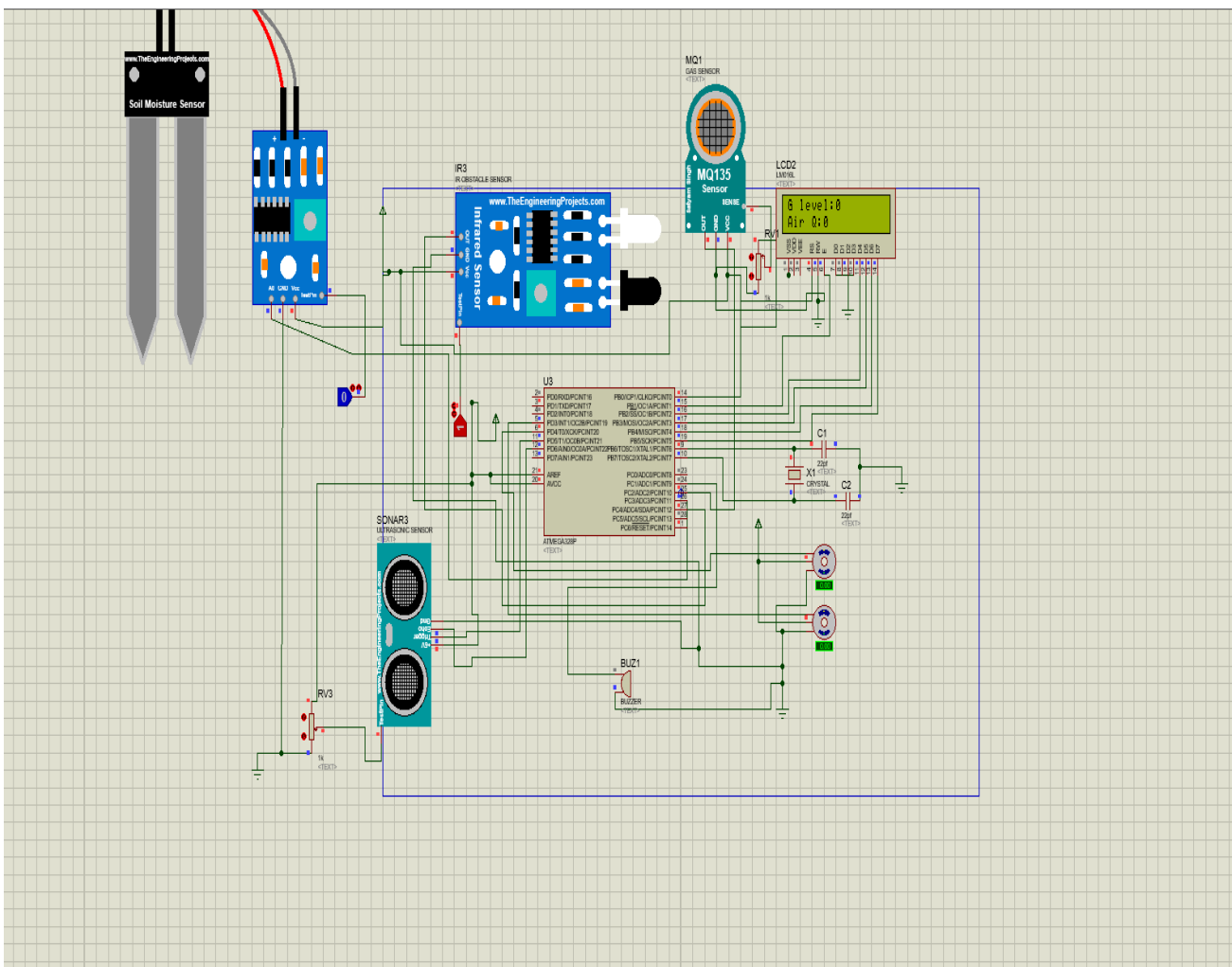


Fig. 2 Simulation Of waste dustbin

VI. RESULT

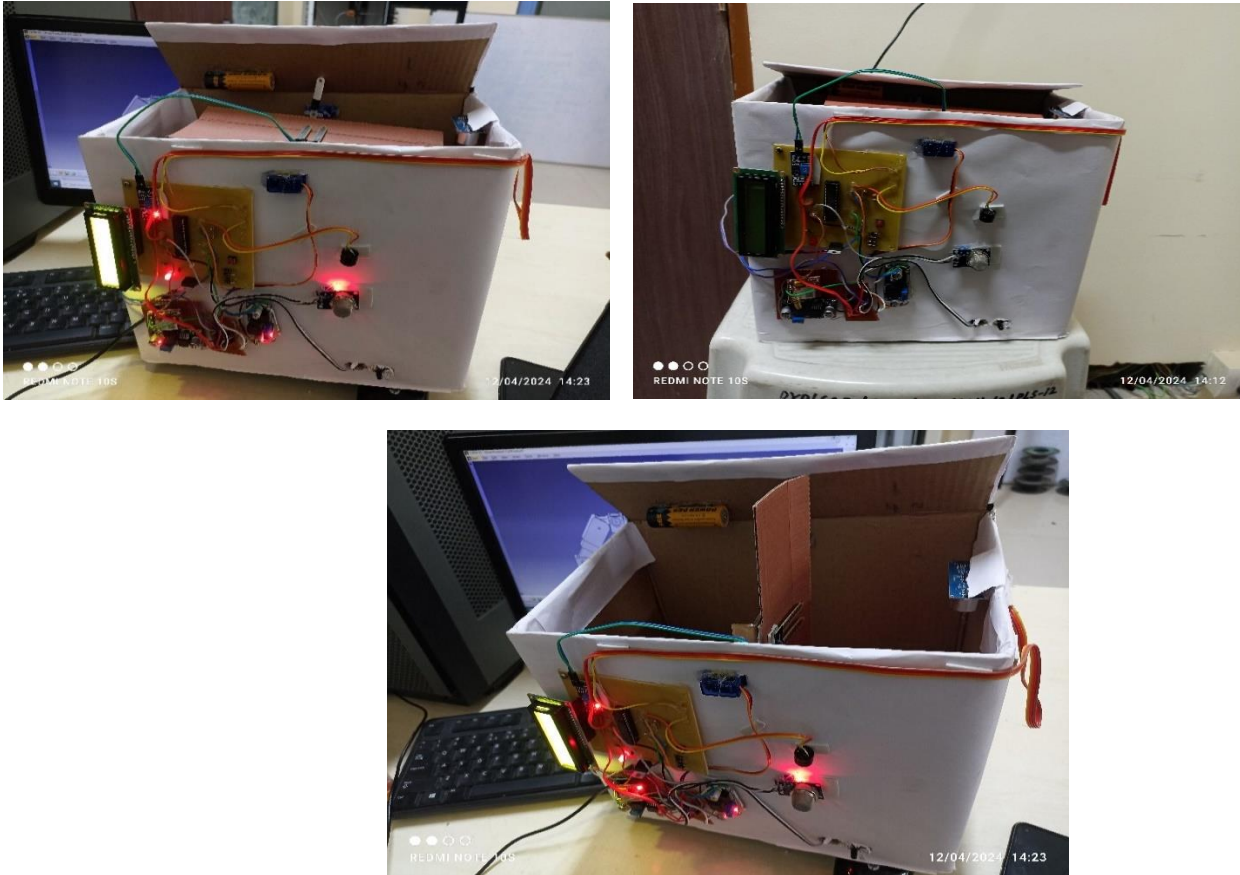


Figure :4

VII. CONCLUSION

improved atmosphere conducive to breathing. When the capacity of the dustbin beyond a certain threshold, this mechanism guarantees that the recycling bin is cleaned. A Node MCU and an ultrasonic sensor are used in each proposal for the architecture of a smart trash can system. Vehicles that collect garbage are always working in cities and towns, with an emphasis on regional development; nevertheless, not all of these dustbins may be full at all times. The trash in the city's dustbins will be tracked by this gadget using the suggested manner. Individuals may view the accuracy of these trash cans at any times by using their technological devices. rubbish collection is more effective when there is a smart dustbin or rubbish bin .

REFERENCES

- [1] Twinkle Sinha, Mugesh Kumar, P Saisharan, (2015) "Smart Dustbin" in International Journal of Industrial Electronics and Electrical Engineering, vol.no 3, issue 5, p. 101 – 104
- [2] Pankaj Vikrant Bhor1, Maheshwar Morajkar2, Dishant Gurav3, Pandya, (2015) "Smart Garbage Management System" in International Journal of Engineering Research & Technology, vol.no 4, issue 3, p. 1117 – 1119.
- [3] Monika K A, Rao N, Prapulla S B and Shobha G, (2016) "Smart Dustbin-An Efficient Garbage Monitoring System" in International Journal of Engineering Science and Computing, vol.no 6, p.7113-16. Navghane S S , Killedar M S and Rohokale D V, (2016) "IoT Based Smart Garbage and Waste Collection Bin" in International Journal of Advanced Research in Electronics and Communication Engineering (IJARECE)vol.no 5, p.1576-78.
- [4] Kasliwal Manasi H and Suryawanshi Smithkumar B A (2016) a novel approach to "Garbage Management Using Internet of Things for smartcities" in International Journal of Current Trends in Engineering



INTERNATIONAL
STANDARD
SERIAL
NUMBER
INDIA



INTERNATIONAL JOURNAL OF INNOVATIVE RESEARCH

IN SCIENCE | ENGINEERING | TECHNOLOGY

 9940 572 462  6381 907 438  ijirset@gmail.com



www.ijirset.com

Scan to save the contact details